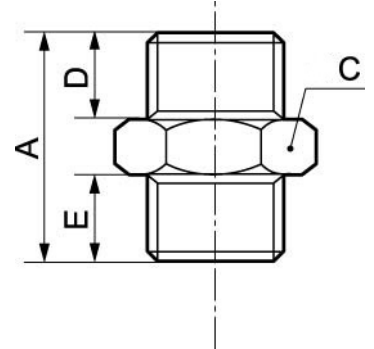


STAINLESS STEEL FITTINGS 316L

Unequal tapered male union



Min / Max operating pressure

0 / 25 bar

Part number	Male thread	Dim. A (mm)	Dim. C (mm)	Dim. D (mm)	Dim. E (mm)
A1 1814I	R1/8; R1/4	28	15	11	9
A1 1438I	R1/4; R3/8	26.5	19	10	10
A1 3812I	R3/8; R1/2	36	23	15	13
A1 1234I	R1/2; R3/4	40	29	17	15